

Product Overview

ikon Software and Hardware Products

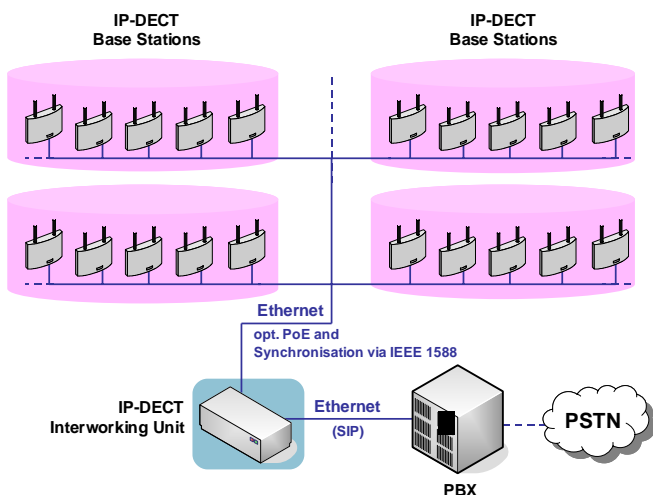
General

All our Products are complete Solutions or pre-integrated Components for Integration in customer-specific Products. Our Software is available in binary Format or Source Code as part of a project. The Software Modules are Operating System independent and only the Device Drivers are Hardware dependent.

ikon Products

IP-DECT System

- IP-DECT Ethernet Base Stations and Interworking Units for the connection with various PBXs.

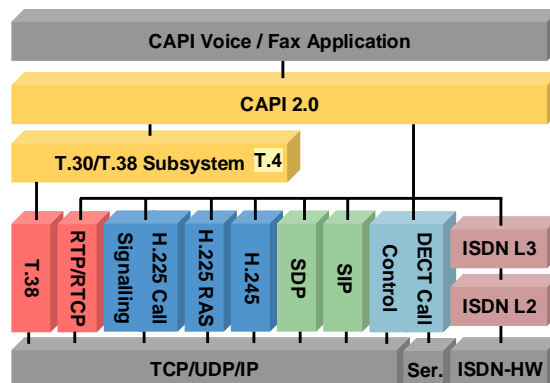


ISDN-CAPI und CAPI4Linux

- Complete ISDN Solution for BRI and PRI Boards on Windows and Linux.

VoIP-CAPI

- Virtual ISDN card with SIP and H.323 incl. Real-Time Fax over IP (T.38) and CAPI 2.0 on Windows (see picture) and Linux.



Communication Tester

- Linux-based Tester for UMTS, VoIP and ISDN.

ISDN-Hardware

- **PRI uno PCI** Primary Rate PCI-Board with Euro-ISDN Support on Linux (CAPI4Linux) and Windows (CAPI 2.0).
- **PRI quattro PCI** PCI-Board with 4 Primary Rate Interfaces (SW-Support as PRI uno PCI).
- **PRI quattro PMC** PMC Module with 4 Primary Rate Interfaces (SW-Support as PRI uno PCI).
- **PRI otto cPCI** cPCI Board with 8 Primary Rate Interfaces (SW-Support as PRI uno PCI).

Protocol Software (and more)

Test Application

- Test Application for ISDN, DECT and VoIP based on CAPI 2.0.

PBX Application

- CAPI 2.0 based Application delivering PBX functionality.

Product Overview

CAPI 2.0 (Common ISDN API)

- Common ISDN API V2.0 based on the actual 4th Edition of the CAPI 2.0 Specification incl. Extensions.

T.30/T.38 Software

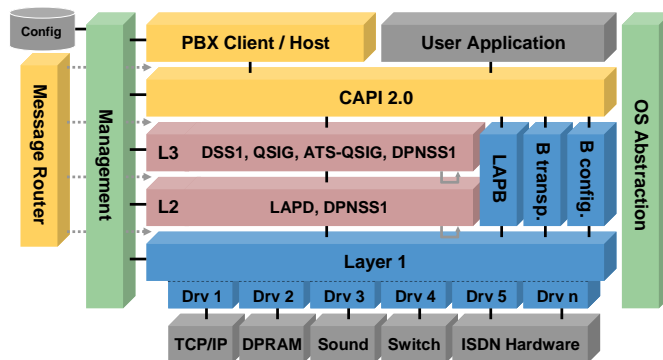
- Real-time Fax over IP Subsystem for the Integration with H.323 and SIP Protocol Stacks.

RTP/RTCP Protokoll

- Extremely compact and highly portable Implementation of the RTP/RTCP Protocol.

ISDN Layer 3 Protocol Software

- DSS-1 / EuroISDN, QSIG, ATS-QSIG, DPNSS-1, 1TR6.



ISDN Layer 2 Protocol Software

- LAPD, LAPB/X.75, HDLC, DPNSS-1.

Layer 1 Software Module

- Interface between Device Drivers and Protocol Stacks or Applications.

Hardware Drivers

- Freescale (Motorola) 68302, 68360, MPC8xx and MPC82xx (SCC, FCC incl. ATM AAL 0/2/5, MCC/QMC, HDLC-Bus and I²C).
- Infineon ISDN Chipsets incl. HDLC-Controller, Switching and Conferencing.
- Software Drivers for TCP/IP, Tone Generation and Announcement.

Ardence Products

- **RTX** Real Time Executive for Microsoft Windows including Development Tool Suite and Real Time TCP/IP Stack.
- **Phar Lap ETS** Small and performing Real Time Kernel for x86 CPUs with Win32 API including Development Tool Suite.
- **ReadyOn** Instant On/Off Capabilities including Enhanced Write Filter for Microsoft Windows.

About ikon

ikon GmbH delivers Products and Development Services with main Focus on Telecommunications. Since its Foundation in 1988 ikon GmbH is a reliable Partner for customer specific Development in the Telecommunication Sector.

Parts of our Product Portfolio are several Software Modules and Protocol Stacks for Technologies like ATM, DECT, ISDN, VoIP, Frame Relay, MPLS, IP-Routing and V5.x.

Trademarks: All trademarks, product and company names used on this data sheet belong to the appropriate manufacturers.